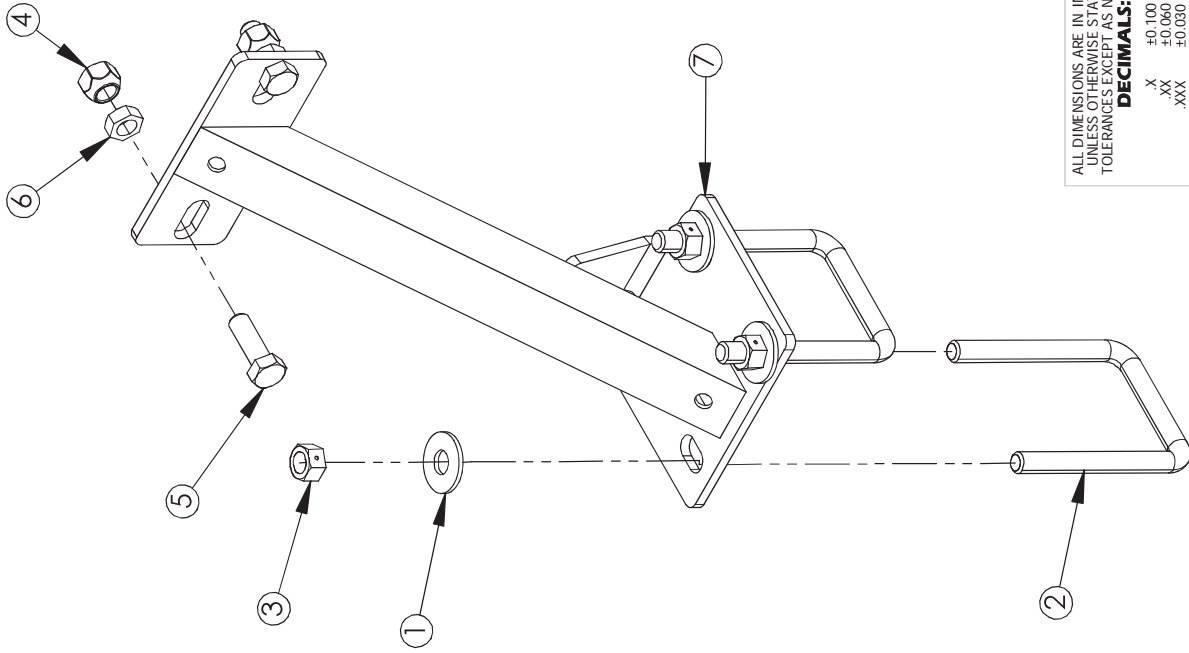


| ITEM NO. | PART NUMBER | DESCRIPTION | QTY. |
|----------|-------------|---------------------------------|------|
| 1 | 210-00017 | .50" FLAT WASHER | 4 |
| 2 | 210-00029 | .50"-13 X 3.063" X 4.50" U-BOLT | 2 |
| 3 | 210-00061 | .50"-13 CENTERLOCK HEX NUT | 4 |
| 4 | 210-00137 | .50"-20 X .813" LUG NUT | 2 |
| 5 | 210-00338 | .50"-20 X 1.50" HX HD BOLT | 2 |
| 6 | 210-00339 | .50"-20 JAM TOP LOCK NUT | 2 |
| 7 | 300-00006 | SPARE TIRE CARRIER | 1 |



ALL DIMENSIONS ARE IN INCHES UNLESS OTHERWISE STATED. TOLERANCES EXCEPT AS NOTED:

DECIMALS:
 X ±0.100
 .XX ±0.060
 .XXX ±0.030
 .XXXX ±0.010

ANGLES:
 ±1°

ALL FORMED ANGLES EQUAL 90° UNLESS NOTED OTHERWISE

() INDICATES REFERENCE

THE INFORMATION IN THIS DRAWING IS THE SOLE PROPERTY OF KARAVAN TRAILERS, INC. ANY REPRODUCTION OR TRANSMISSION OF THIS DRAWING WITHOUT THE WRITTEN PERMISSION OF KARAVAN TRAILERS, INC. IS PROHIBITED.

APPROVED BY: ---
DRAWN BY: TK-A
DATE: 05-28-99
SHEET: 1 OF 1
SCALE: N/A

KARAVAN TRAILERS
 SIDE MOUNT TIRE CARRIER,
 3 X 3 GALV
TITLE:
MATL: SEE B.O.M.
FINISH: N/A
DWG. #: **320-00402-C**

ADDED 210-00137(2X), 210-00339 REPLACED 210-00061(2X),
 210-00338 REPLACED 210-00120(2X)

09-16-11
 04-11-11

LJW
 KMH

REVISED BY
 DATE

| DWG. REV. | EGR/NDR NUMBER | REVISOR | DATE | DESCRIPTION |
|-----------|----------------|---------|----------|-------------|
| C | 15366 | LJW | 09-16-11 | |
| B | 15036 | KMH | 04-11-11 | |