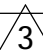
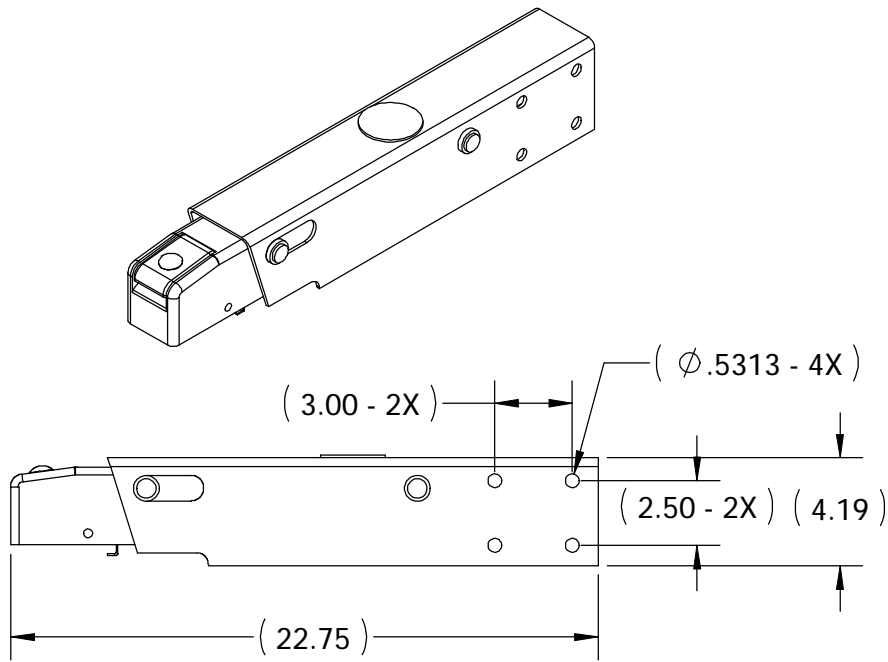
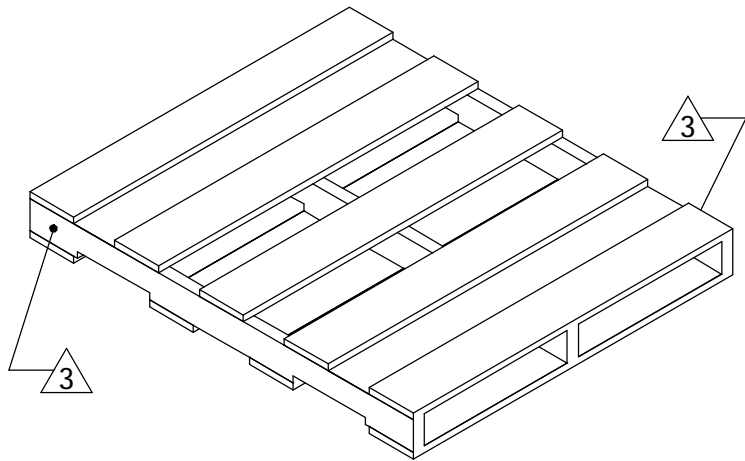


KARAVAN P/N	QTY. PER BOX	REQUIRES ISPM-15 COMPLIANT PALLET
203-00108-NA	40	NO
203-00108(80)M-NA 	80	YES




'MARK' LOCATIONS FOR SHIPPING PALLET WHEN REQUIRED TO BE ISPM-15 COMPLIANT



NOTES:

- 1.) SOLENOID WIRE - 13", 18GA WITH FEMALE SPADE CONNECTOR
- 2.) CAPACITY: 7500#

 THESE PARTS ARE REQUIRED TO HAVE A PALLET THAT IS COMPLIANT TO THE LATEST ISPM-15 (INTERNATIONAL STANDARDS FOR PHYTOSANITARY MEASURES) AND BARE 'MARKING FOR APPROVED MEASURES' ON TWO VISIBLE SURFACES, OPPOSITE OF EACH OTHER.

ALL DIMENSIONS ARE IN INCHES UNLESS OTHERWISE STATED TOLERANCES EXCEPT AS NOTED DECIMALS:  
 .X ±0.100  
 .XX ±0.060  
 .XXX ±0.030  
 .XXXX ±0.010  
 ANGLES:  
 ±1°  
 ALL FORMED ANGLES EQUAL 90° UNLESS NOTED OTHERWISE  
 ( ) INDICATES REFERENCE

THE INFORMATION IN THIS DRAWING IS THE SOLE PROPERTY OF KARAVAN TRAILERS, INC. ANY REPRODUCTION IN PART OR WHOLE WITHOUT THE WRITTEN PERMISSION OF KARAVAN TRAILERS, INC. IS PROHIBITED.  
 APPROVED BY: ---  
 DRAWN BY: JUSTIN D. SCHMIDT  
 DATE: 04-22-04  
 SHEET: 1 OF 1  
 SCALE: N/A

**KARAVAN**  
TRAILERS  
 TITLE: ACTUATOR 2-AXLE DISC  
 MAT'L: PURCHASED  
 FINISH: N/A  
 DWG. #: 203-00108-B

DWG. REV.	ECR/NDR NUMBER	REVISED BY	DATE	DESCRIPTION
B	14813	PCS	04-13-09	UPDATED STYLE OF ACTUATOR FROM A-75 TO A-60
A/3	14395	ALG	12-28-07	ADDED 203-00108(80)M OPTION TO PRINT